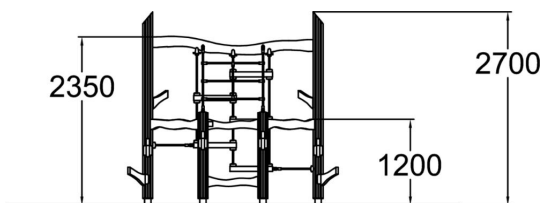
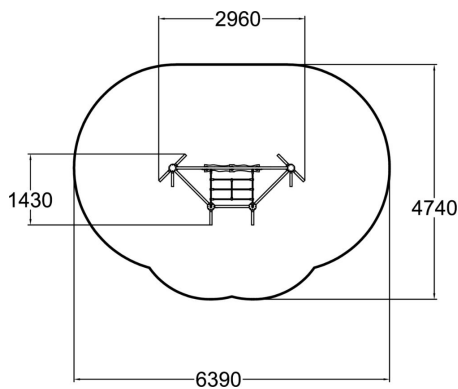





Fairy's waterfall provides more challenge than meets the eye at first. The ropes are "living" and thus the nets and rope ladders are responsive to every movement. The stable beams and branches encourage climbing, too. This product can be used in many ways, as a meeting point or for exercising. Without specific entry or exit points it is good for social interaction and communication, as well as for hanging out with friends. The Fairy's waterfall consists of two high and two low posts, connected to each other with horizontal beams. The high posts suspend two different types of rope ladders: One hangs straight down from the top beam. The second one is connected diagonally from the top beam to the top of the lower posts.



User age	6+
Number of users	16
Product length, mm	2960
Product width, mm	1220
Product height, mm	2700
Impact area, m ²	24.5
Falling space, m ²	24.5
Height required, mm	4200
Max. free fall height, mm	2350
Safety info	EN 1176-1:2008
Installation time (for 1), H	4
Wood	
Ropes	